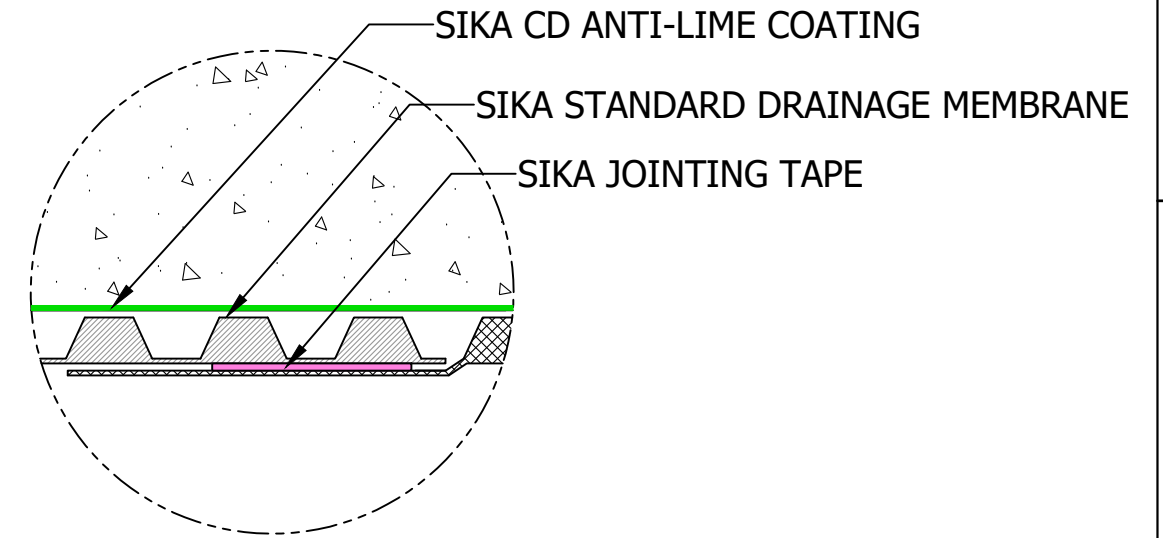
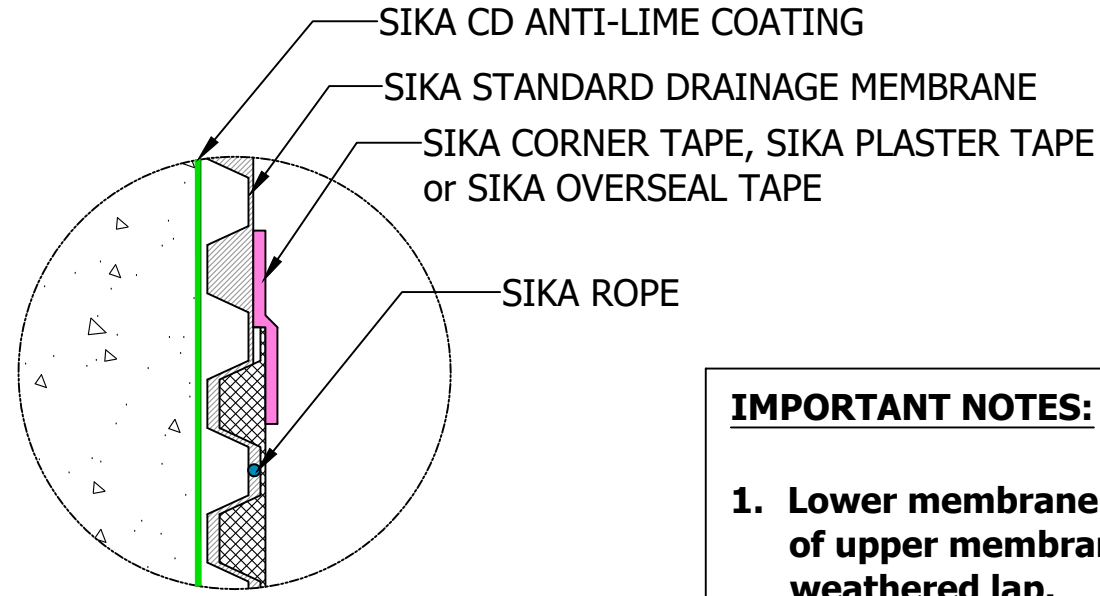
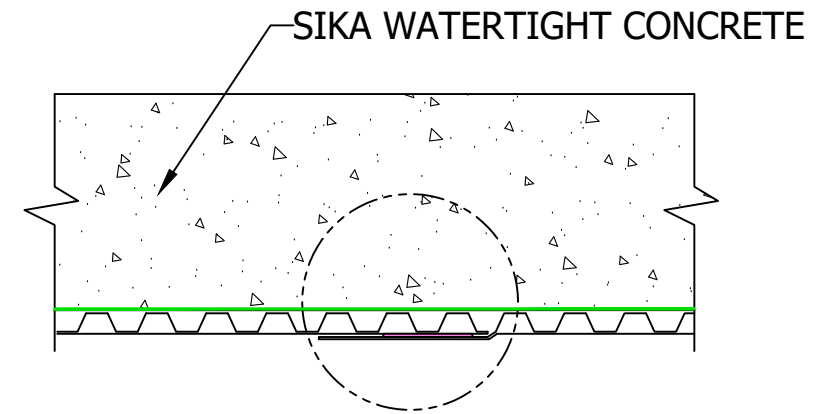
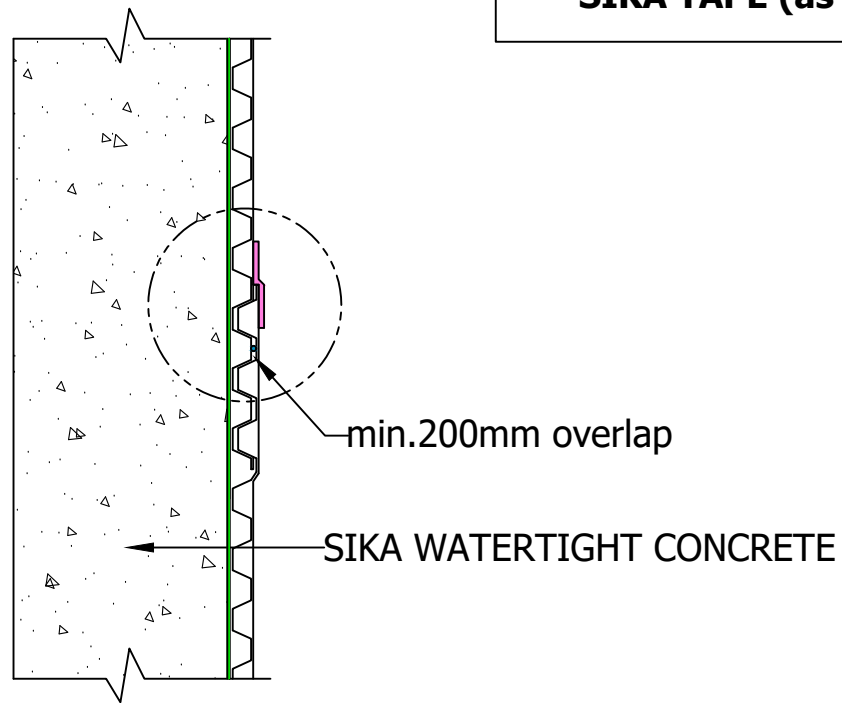


SIKA CAVITY DRAINAGE OVERLAP DETAILS (SIKA STANDARD CAVITY MEMBRANE)



IMPORTANT NOTES:

- 1. Lower membrane must be placed in front of upper membrane to form a correctly weathered lap.**
- 2. Joints may be secured with SIKA ROPE or SIKA TAPE (as shown on details).**



VERTICAL LAP - OVERLAPPING STUDS

VERTICAL LAP - SELVEDGE (PLAN SECTION)

A DRAWINGS MUST ALWAYS BE REVIEWED BY A DESIGN SPECIALIST AND IF NECESSARY MODIFIED TO ENSURE SUITABILITY FOR THE SPECIFIC APPLICATION.

The information contained herein and any other advice are given in good faith based on Sika's current knowledge and experience of the products when properly stored, handled and applied under normal conditions in accordance with Sika's recommendations. The information only applies to the application(s) and product(s) expressly referred to herein and is based on laboratory tests which do not replace practical tests. In case of changes in the parameters of the application, such as changes in substrates etc., or in case of a different application, consult Sika's Technical Service prior to using Sika products. The information contained herein does not relieve the user of the products from testing them for the intended application and purpose. All orders are accepted subject to our current terms of sale and delivery. Users must always refer to the most recent issue of the local Product Data Sheet for the product concerned, copies of which will be supplied on request.

**ALL DETAIL DRAWINGS ARE FOR UK USE ONLY
DO NOT SCALE FROM DRAWING**

THIS DRAWING IS THE CONFIDENTIAL PROPERTY OF SIKA LIMITED AND MUST NOT BE REPRODUCED EITHER WHOLLY OR PARTLY. ALL RIGHTS IN RESPECT OF PATENTS, DESIGN AND COPYRIGHTS ARE RESERVED. SIKA LTD. WWW.SIKA.CO.UK



B	Updated detail	AO	DJC	25/05/20
Revision	Description	By:	Aprvd By:	Date
Drawn by	Checked by	Approved by	Date	
A.O'ferrall	D.Clark	D.Cliff	24/11/17	
Description SIKA CAVITY DRAINAGE OVERLAP DETAILS (SIKA STANDARD CAVITY MEMBRANE)				
Drawing No.	Issue	Sheet		
CDM15	B	1 / 1		